

# 8STA Blind Mating Plug

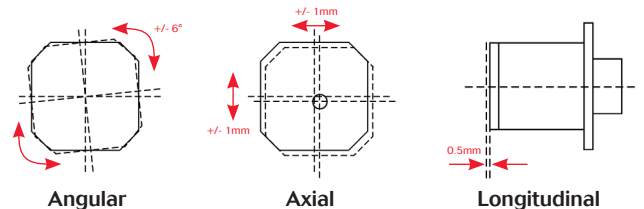


## New 8STA Blind Mating Plug

Blind mating solution for quick connection in hard-to-reach areas.

Specific 8STA plug ✓

Compensating for misalignment in 3 axes.



Blind connection ✓

Easy & fast connection without any coupling/uncoupling between float-mounting unit & fixed unit.

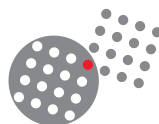


A versatile product ✓

Available in sizes 10, 12, 14 & 16 (consult us for others sizes).  
Accept all layouts according connector shell size.  
Available in crimp contacts.

Mating part ✓

Jam nut receptacle: 8STA7 (mandatory)



# 8STA

## Blind Mating plug



### Technical characteristics

#### Mechanical

- Shell: Aluminium alloy
- Shell plating: Conductive black zinc
- Insulator: Thermoplastic
- Grommet & seal: Liquid silicone rubber
- External cover: Green fluoro silicone
- Contact: Copper alloy
- Contact plating: Gold
- Contact retention:
 

Size 22D	45 N
Size 20	60 N
Size 16	100 N
Size 12	100 N
Size 8	110 N
Size 4	200 N

- Flange dimension:
  - . Flange of plug size 16 equivalent to receptacle size 22
  - . Flange of plug size 12 equivalent to receptacle size 18

#### Climatic

- Temperature range: -55°C to +175°C
- Sealing mated connectors: IP67 (1 meter for 30 min. minimum)
- Salt spray: 48 hours

#### Electrical

- Test voltage

Service	M	N	I	II
Sea level	1300	1000	1800	2300

- Contact resistance:
 

Size 22D	14.6 mΩ
Size 20	7.3 mΩ
Size 16	3.8 mΩ
Size 12	3.5 mΩ
Size 4	2 mΩ
- Insulation resistance: ≥ 5000 mΩ (at 500 Vdc)
- Contact rating:
 

Size 22D	5 A
Size 20	7.5 A
Size 16	13 A
Size 12	23 A
Size 8	45 A
Size 4	80 A

### Ordering information

Series	8STA	6	12	35	S	N	566
Shell style:	6: Plug						
Shell size:	10, 12, 14, 16						
Contact layouts:	See 8STA catalog						
Type of contacts:	P: Pin contacts S: Socket contacts						
Orientation:	N: Red						
Specification:	566: Rackable plug (Mandatory)						

Note: Receptacle to be used with rackable plug = 8STA7xxxxx (standard jam nut version)

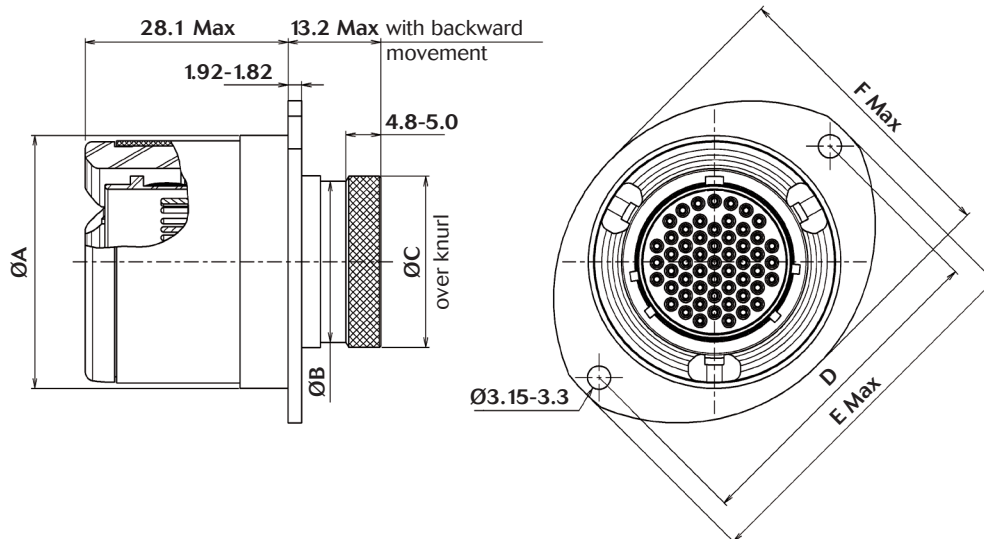


# 8STA Blind Mating plug



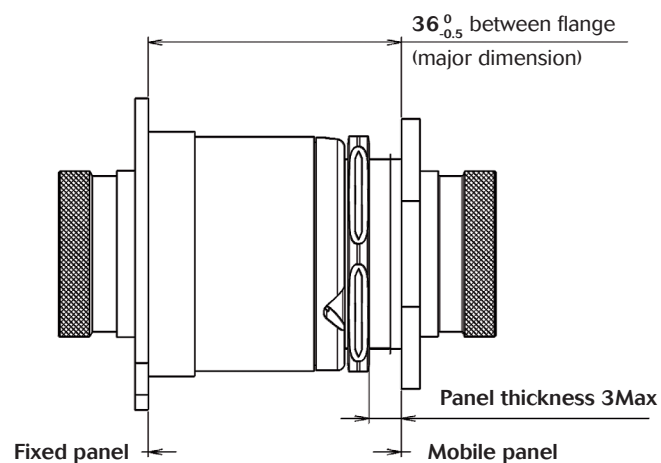
## Dimensions

### Plug Type 6



Shell size	$\text{ØA}^{+0.3}_{-0}$	$\text{ØB}^{+0.2}_{-0}$	$\text{ØC}$	$\text{D}^{+0.4}_{-0}$	E	F
10	25.17	12.85	13.72	34.60	41.00	30.30
12	28.35	15.92	17.26	38.00	44.70	33.70
14	31.52	18.90	20.41	41.40	47.90	37.00
16	34.70	22.08	23.60	44.80	51.00	40.40

### Mated Connector (plug type 6 & receptacle type 7)



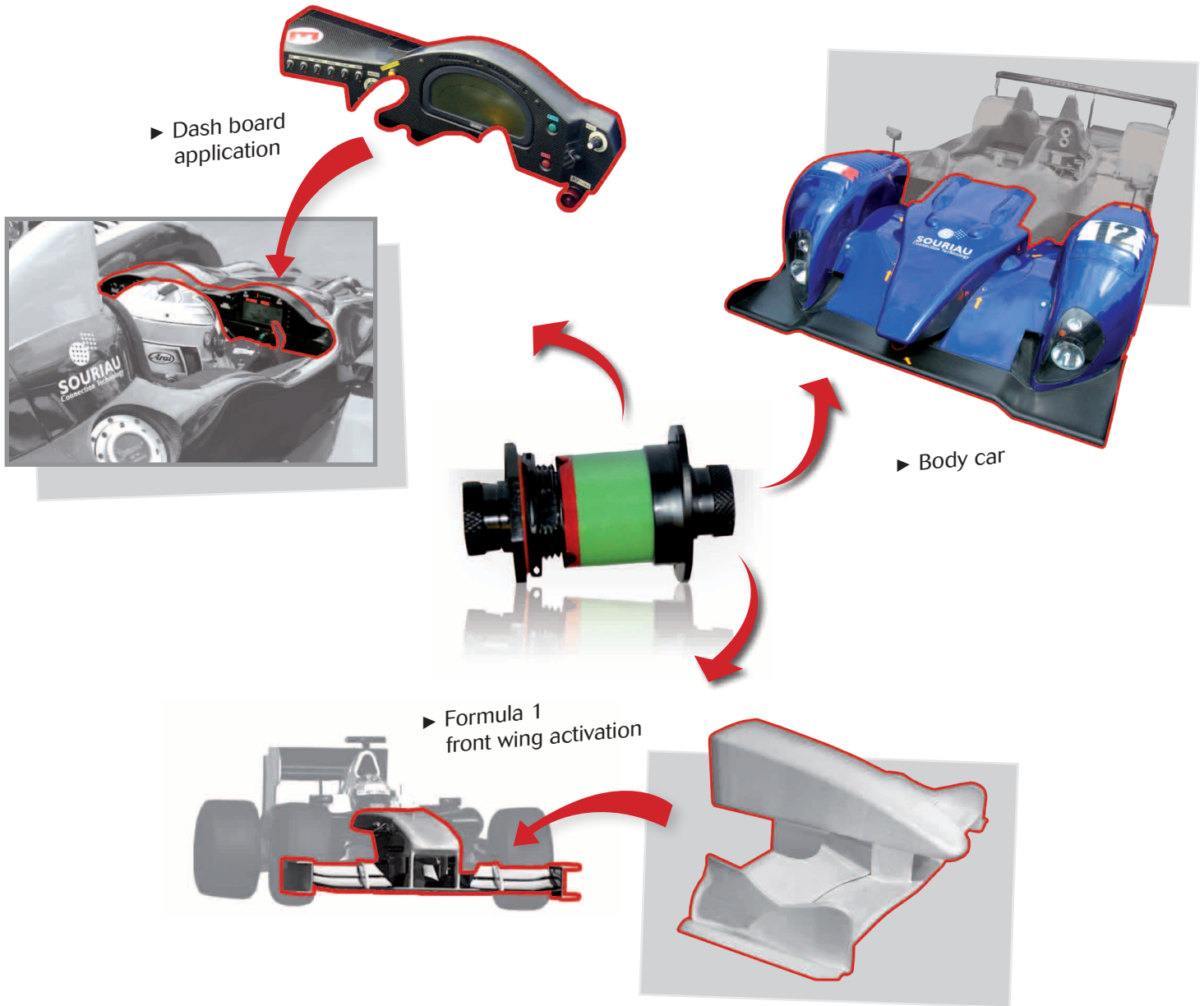
Note: All dimensions are in millimeters (mm)

For further information, visit our website [www.motorsport-connectors.com](http://www.motorsport-connectors.com)  
or contact us at [contactmilaero@souriau.com](mailto:contactmilaero@souriau.com)

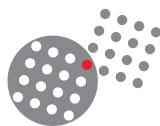
# 8STA Blind Mating Plug



Quick & Easy installation in hard to reach areas.



- ✓ Easy to install (dash board, body car, front wing, ...)
- ✓ Maintenance time saving during races



**SOURIAU**  
Connection Technology