



8STA High Density



Features & Benefits

- **A reliable & robust solution**
 - Same well proven shell design as standard 8STA
 - Contact retention with metallic clip
- **Significant space saving**
 - Twice the number of contacts compared to size 12-35 with 22 contacts
 - Two shell sizes smaller than a partially populated size 16-35 with 55 cavities

Technical characteristics

Mechanical

- | | |
|---------------------|---------------------------|
| • Shell | Aluminium alloy |
| • Shell plating | Conductive black zinc |
| • Insulator | Thermoplastic |
| • Grommet & seal | Liquid silicone rubber |
| • Contact | Copper alloy |
| • Contact plating | Gold |
| • Endurance | 500 matings/unmatings |
| • Vibration | 15 to 20g, 100 to 3000 Hz |
| • Contact retention | 35 N |

Electrical

- | | |
|-------------------------|------------------------|
| • Test voltage | 500 Vrms |
| • Contact resistance | 16mΩ |
| • Insulation resistance | ≥ 5000 mΩ (at 500 Vdc) |
| • Contact rating | 3 A |
| • Shell continuity | ≤ 10 mΩ |

Climatic

- | | |
|----------------------------|------------------------------------|
| • Temperature range | -55°C to +175°C |
| • Sealing mated connectors | IP67 (1 metre for 30 min. minimum) |
| • Salt spray | 48 hours |



8STA High Density

How to order

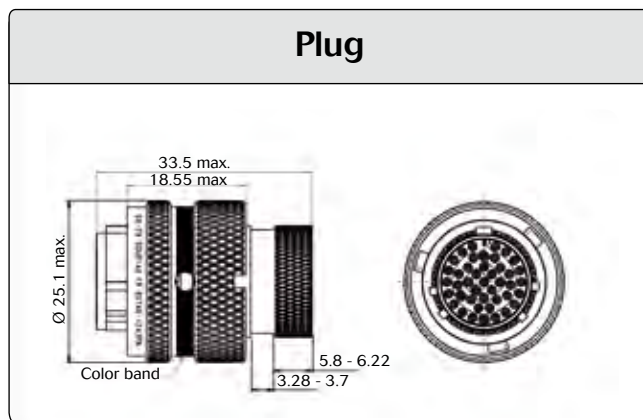
Connector

Basic series	8STA	0	12	43	P	N	-
Shell style	0: Oval flange receptacle 1: In-line receptacle 6: Plug 7: Jam nut receptacle						
Shell size	12						
Contact layouts	43 (43 contacts #26)						
Type of contacts	P: Pin contacts S: Socket contacts						
Orientations	N: Red / A: Yellow / B: Blue / C: Orange / D: Green / U: Universal						
Specification	- : Standard version 499: Integrated clinchnut on the flange - M3 insert (only for shell style 0 & 2)- for more details, please see page 45-48 523: Lightweight In-line receptacle (shell style 1)						

Protective cap

Basic series	8STA	8	12
Shell style	8: Plug protective cap 9: Receptacle protective cap		
Shell size	12		

Range presentation

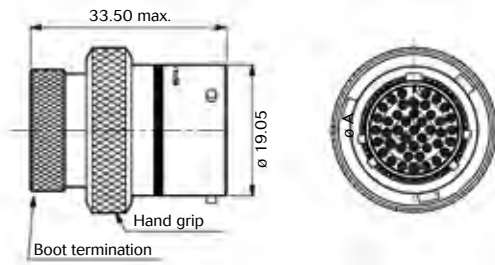




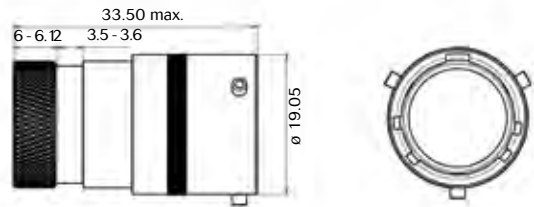
8STA High Density

In-line receptacle

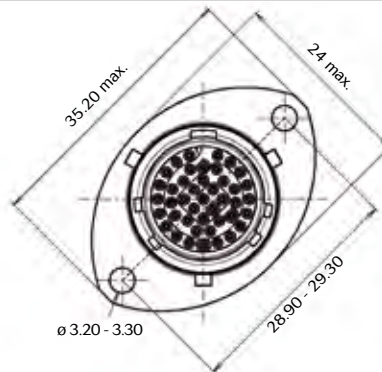
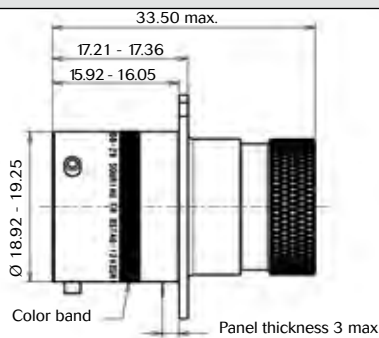
Standard version



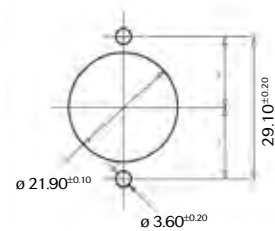
Lightweight version (specification 523)



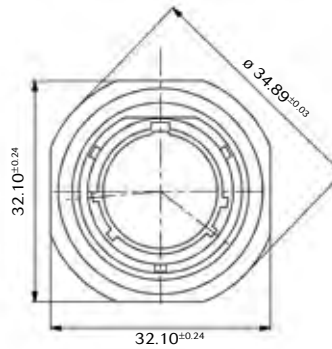
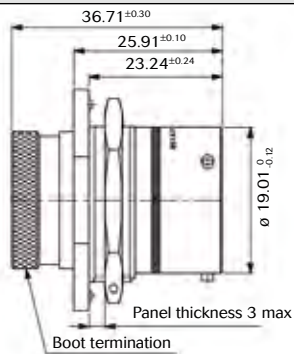
Oval flange receptacle



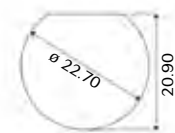
PANEL CUT OUT



Jam nut receptacle



PANEL CUT OUT





8STA High Density

Contacts

Crimped contacts									
Contact size	Contact type	Contact Ø max.	Part numbers	Admissible wire section				External dia. over insulation (mm)	
				AWG		mm ²		Min.	Max.
				Min.	Max.	Min.	Max.		
Crimp contact									
26 signal contact	Male	0.50	8599-0297	30	24	0.055	0.215	0.60	0.83
	Female		8599-0298						

Crimping tools				
Contact size	Wire sizes	Type	Locator Part number	Plier Part number
			SOURIAU	SOURIAU
26	24 to 30	Male	8599-0397	M22520/2-01
		Female	8599-0398	

Accessories

Insertion & extraction tool			
Contact size	Part number	Colour	
		Insertion	Extraction
26	8599-0399	Black	White

